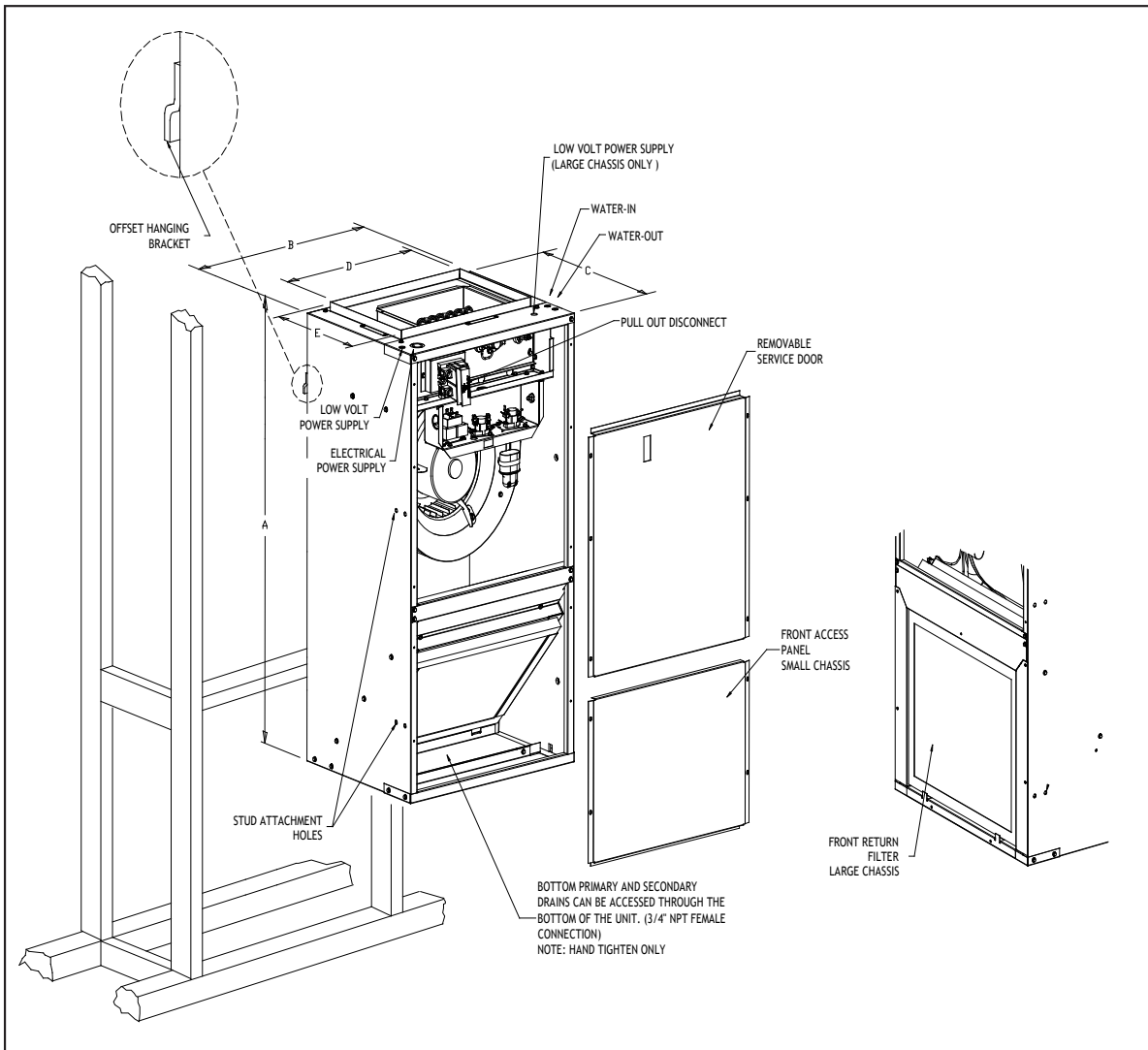


AIR HANDLER DIMENSIONS

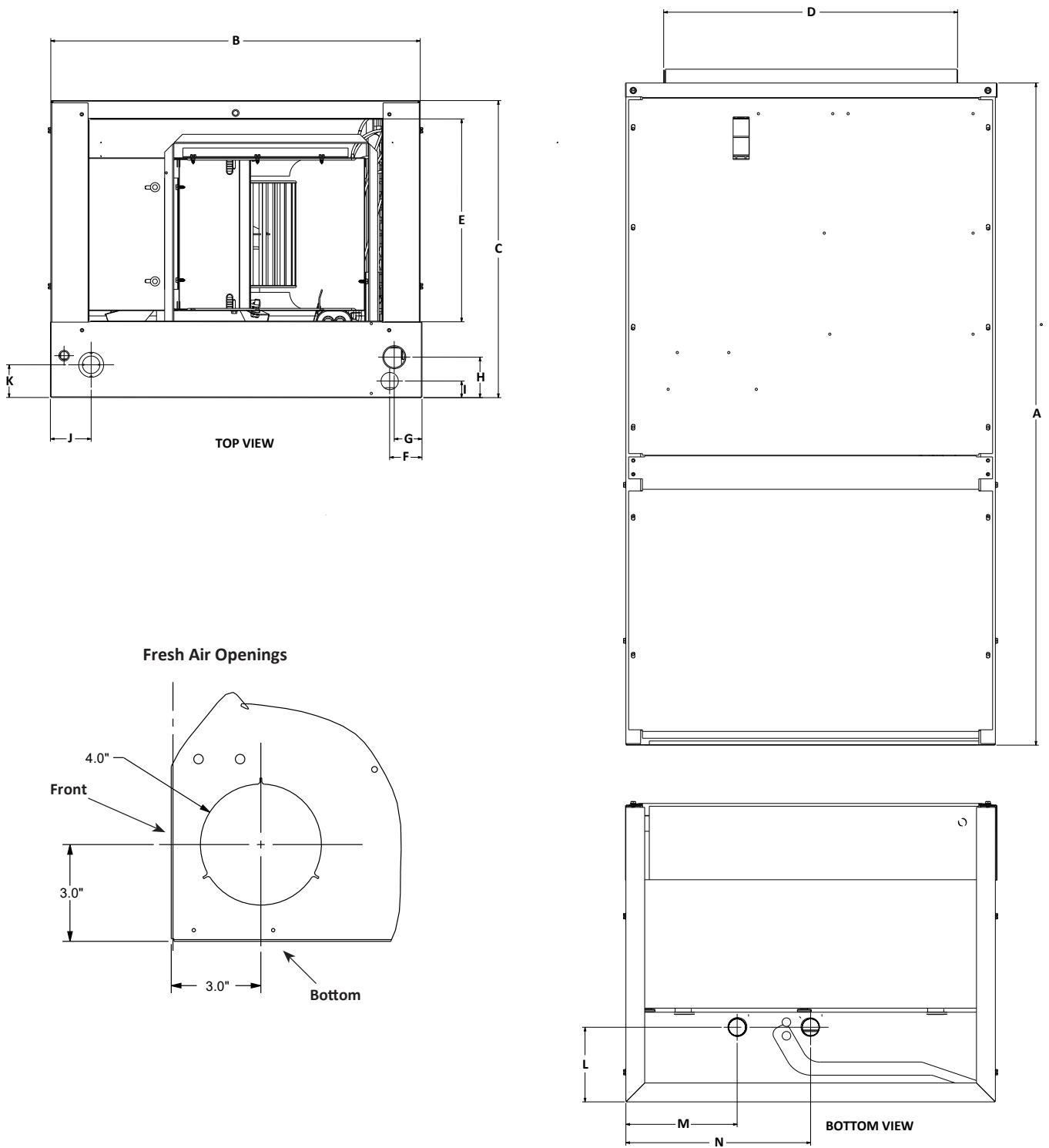
Note - Once installed, top of unit must be level or slightly tilted back to ensure proper condensate drainage.



Small Chassis (CXA018-024)	
A	36"
B	20 ³ / ₁₆ "
C	16 ¹ / ₈ "
D	16"
E	11"
Filter	14" x 18" x 1"

Large Chassis (CXA024-036)	
A	36"
B	24"
C	21"
D	19 ⁷ / ₈ "
E	15 ⁷ / ₈ "
Filter (30, 36, 31, 32, 37)	18" x 20" x 1"

AIR HANDLER DIMENSIONS



	A	B	C	D	E	F	G	H	I	J	K	L	M	N
CXAH018-024	36"	20 $\frac{1}{4}$ "	16 $\frac{1}{8}$ "	16"	11"	1 $\frac{3}{4}$ "	1 $\frac{1}{2}$ "	2 $\frac{1}{4}$ "	$\frac{7}{8}$ "	1 $\frac{1}{8}$ "	1 $\frac{3}{4}$ "	4"	6"	10"
CXAH030-036	36"	24"	21"	19 $\frac{1}{8}$ "	16"	4 $\frac{1}{8}$ "	1 $\frac{1}{2}$ "	1 $\frac{3}{4}$ "	2"	1 $\frac{1}{4}$ "	2 $\frac{3}{8}$ "	4"	8"	12"